



GOODWINCH LIMITED

East Foldhay, Zeal Monachorum, Crediton, Devon, EX17 6DH, England

Telephone: (01363) 82666 Fax: (01363) 82782

International Tel: + 44 1363 82666 Fax: + 44 1363 82782

Website: www.goodwinch.com Email: sales@goodwinch.com

Importers, Exporters, Wholesale Distributors and Retailers of Winches and Accessories

Company Registration No. 4392946
VAT No. 540 4303 88

FEATURES

- Bowmotor '1' winch motor with large brushes in brass holders, copper welded commutators, superb quality, with sealed Albright type solenoids.
- Strong heavy duty drum supports with more space under tie rods and 'V' ring seals each side of the drum to keep water out.
- 315:1 heavy duty planetary gear ratio for commercial use.
- Automatic, fail safe external double tapered brake.
- Positive 2 hole fixing for end of winch rope.



Goldfish TDS-16.5c

SPECIFICATION

Line Pull	16,500lbs/7,485kgs
Motor	12volt / 6.0hp 24volt / 3.6hp
Gear Train	Three Stage
Freespooling Clutch	Rotating Ring Gear
Wire Rope Size	Φ7/16" x 90' (Φ11mm x 27.4m)
Drum Size	Φ3.5" x 8.1" (Φ89mm x 206mm)



This is a TDS-16.5 fitted with 12mm x 27.5m (90') of Dyneema Bowrope.

LINE PULL (see note *)

Layer of Wire Rope	Max Line Pull	
	Lbs	Kgs
1	16,500	7,485
2	12,292	5,576
3	10,413	4,724
4	9,033	4,097



This specially made re-inforced mounting kit is designed to bolt the TDS-16.5 both downwards and forwards on a truck bed or trailer.

LINE SPEED AND AMP DRAW (1st layer of rope see note *)

Load		Line Speed		Amp Draw	
Lbs	Kgs	FPM	MPM	12V	24V
No Load		18	5.5	65	49
6,000	2,722	6.3	1.9	190	95
13,000	5,897	3.4	1.0	330	220
16,500	7,484	2.1	0.6	400	290

STANDARD ACCESSORIES PACKAGE

Remote Controller Winch Weight 62.5 Kgs / 137.8lbs

Wire Rope With Hook Gross Weight 70 Kgs / 154.3lbs

4 Way Roller Fairlead Box Dimensions 710 x 255 x 450mm (28" x 10" x 17.7")

Control Unit

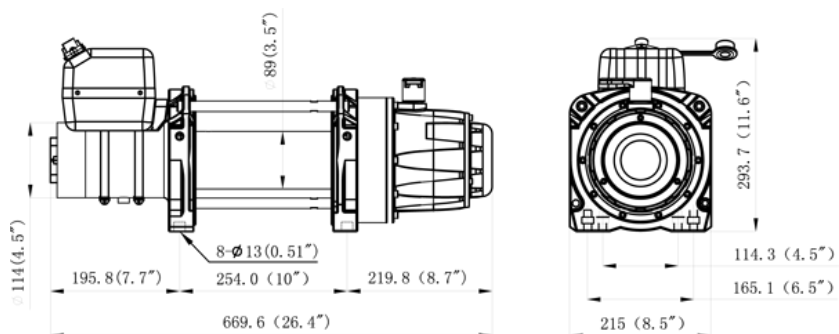
Mounting Hardware

Pulley Block

Handsaver Strap

Please see over for optional extras

* Line pull, speed and amp draw is only an indication above, as battery capacity and alternator size can vary considerably from vehicle to vehicle. Always best to winch and drive to reduce load, amps drawn and gain speed.



Dyneema® is a registered trademark of Royal DSM N.V.